

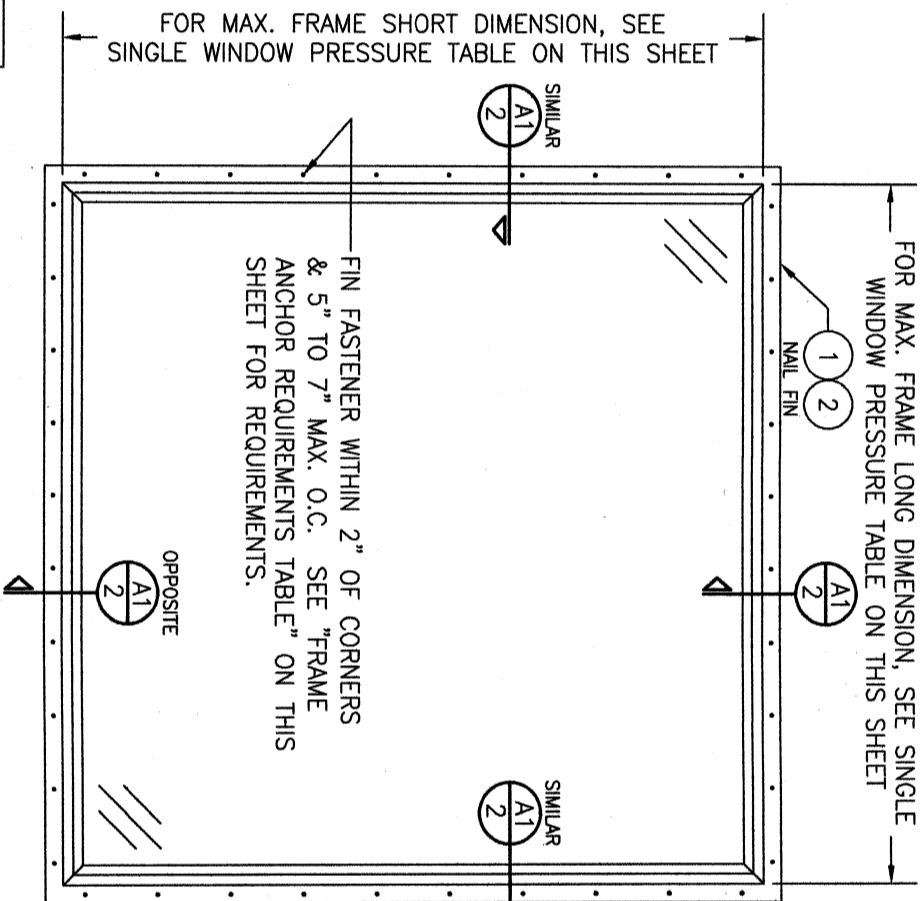
GENERAL NOTES:

1. ALL FASTENERS SHALL BE IN ACCORDANCE WITH THESE DRAWINGS. SPECIFIED ANCHOR EMBED TO BASE MATERIAL SHALL BE BEYOND WALL FINISH OR STUCCO.
 2. OPENINGS, BUCKING & BUCKING FASTENERS MUST BE PROPERLY DESIGNED & INSTALLED TO TRANSFER WIND LOADS TO THE STRUCTURE.
 3. THESE NON-IMPACT RATED PRODUCT INSTALLATIONS ARE IN ACCORDANCE WITH AND MEET THE REQUIREMENTS OF THE FLORIDA BUILDING CODE (FBC).
 4. ALL ANCHORS SECURING PRODUCT FRAMES TO PRESSURE TREATED BUCKS OR WOOD FRAMING SHALL BE CAPABLE OF RESISTING CORROSION CAUSED BY THE PRESSURE TREATING CHEMICALS IN THE WOOD.
 5. MATERIALS, INCLUDING BUT NOT LIMITED TO STEEL SCREWS, THAT COME INTO CONTACT WITH OTHER DISSIMILAR MATERIALS SHALL MEET THE REQUIREMENTS OF FLORIDA BUILDING CODE CHAPTER 20.
 6. TO THE BEST OF OUR KNOWLEDGE, THE PRODUCT SHOWN HEREIN IS CERTIFIED & QUALITY ASSURED BY A FLORIDA STATE APPROVED CERTIFICATION/CA ENTITY & SHALL BE LABELED IN ACCORDANCE WITH THE FBC AND THE FLORIDA DEPARTMENT OF BUSINESS & PROFESSIONAL REGULATION SPECIFICATIONS. PRODUCT ASSEMBLY IS NOT PART OF THIS DRAWING AND SHALL BE IN ACCORDANCE WITH THE MANUFACTURER'S QUALITY ASSURANCE SPECIFICATIONS & TESTING REPORTS.
 7. CERTIFICATION OF THESE PRODUCT INSTALLATIONS SHALL BE CONSIDERED VOID IF ANY OF THE FOLLOWING APPLY: 1) PRODUCT IS INSTALLED WITHOUT A BUILDING PERMIT FROM THE APPLICABLE LOCAL BUILDING DEPARTMENT. 2) PRODUCT IS INSTALLED BY ANYONE OTHER THAN A LICENSED CONTRACTOR EXPERIENCED WITH INSTALLATIONS OF THIS TYPE OF PRODUCT. 3) IF CHANGES HAVE OCCURRED TO THE PRODUCT'S CERTIFICATION ENTITY'S CERTIFICATE THAT CAUSE THESE INSTALLATIONS TO BE INCORRECT OR INCONSISTENT WITH WHAT HAS BEEN TESTED. 4. THE LEAST DESIGN PRESSURE SPECIFIED EITHER IN THIS DRAWING OR IN THE PRODUCTS CERTIFICATION SHALL CONTROL FOR THE INSTALLED PRODUCT.
 8. THESE DRAWINGS CERTIFY THE PRODUCT INSTALLATION ONLY. WATER PROOFING OF THE INSTALLED PRODUCT IS NOT PART OF THIS INSTALLATION CERTIFICATION. THAT RESPONSIBILITY SHALL BE THAT OF THE MANUFACTURER &/OR INSTALLER.
- INSTALLATION EVALUATION IS BASED ON APPLICABLE ANCHOR STANDARDS AND/OR INFORMATION & RESULTS FROM APPLICABLE TEST REPORTS. THE FLORIDA BUILDING CODE VERSION CONSIDERED WITH THE EVALUATION WAS THAT IN FORCE AT THE TIME OF THE EVALUATION. IN THE EVENT OF CODE VERSION CHANGES/UPDATES OR IN THE EVENT THAT NEW OR ADDITIONAL TESTING IS COMPLETED ON THE REFERENCED PRODUCT, PRIOR TO STATING CODE COMPLIANCE WITH THE STATE, THE MANUFACTURER SHALL CONFIRM WITH THE INSTALLATION EVALUATION ENGINEER OF RECORD THAT THE INSTALLATIONS SPECIFIED HERE-IN ARE CURRENT WITH THE THEN CURRENT TESTING, CODE AND APPLICABLE STANDARDS.

FRAME ANCHOR REQUIREMENTS TABLE

| OPENING TYPE (SUBSTRATE) | FRAME/CLIP/NAIL FIN TO OPENING FASTENER TYPE | MINIMUM EMBED | MINIMUM EDGE DIST. |
|--|--|---------------|--------------------|
| FRAME SCREWS | | | |
| MIN. 2X4 WOOD FRAME OR BUCK (MIN. GR. 3 & G=0.55) | NO. 10 SMS OR WOOD SCREW | 1 1/4" | 3/4" |
| MIN. 18 GA. 33 KSI METAL STUD | NO. 10 GR. 5 SELF TAP/DRILL SCREW | FULL | 1/2" |
| MIN. 1/8" THK A36 STEEL | NO. 10 GR. 5 SELF TAP/DRILL SCREW | FULL | 1/2" |
| MIN. 1/8" THK 6063-T5 ALUM. | NO. 10 GR. 5 SELF TAP/DRILL SCREW | FULL | 1/2" |
| C-90 CMU/2500 PSI CONCRETE | (1) 1/4" CONCRETE SCREW | 1 1/4" | 2" |
| (2) INSTALLATION CLIP SCREWS (BENT & 3-PIECE CLIPS) | | | |
| MIN. 2X4 WOOD FRAME OR BUCK (MIN. GR. 3 & G=0.55) | NO. 8 X 1 1/2" SMS | 1 3/8" | (2) N/A |
| MIN. 1/8" THK A36 STEEL | NO. 8 GR. 5 SELF TAP/DRILL SCREW | FULL | (2) N/A |
| MIN. 1/8" THK 6063-T5 ALUM. | NO. 8 GR. 5 SELF TAP/DRILL SCREW | FULL | (2) N/A |
| INSTALLATION CLIP SCREWS (STRAIGHT CLIPS) | | | |
| MIN. 2X6 WOOD FRAME OR BUCK (MIN. GR. 3 & G=0.55) | NO. 8 X 1 1/2" SMS | 1 3/8" | 3/4" |
| MIN. 18 GA. 33 KSI METAL STUD | NO. 8 GR. 5 SELF TAP/DRILL SCREW | FULL | 1/2" |
| MIN. 1/8" THK A36 STEEL | NO. 8 GR. 5 SELF TAP/DRILL SCREW | FULL | 1/2" |
| MIN. 1/8" THK 6063-T5 ALUM. | NO. 8 GR. 5 SELF TAP/DRILL SCREW | FULL | 1/2" |
| (3) NAILING FIN FASTENERS | | | |
| MIN. 2X4 WOOD FRAME OR BUCK (MIN. GR. 3 & G=0.55) | NO. 8 X 1 1/2" SMS | 1 3/4" | 1/2" |
| MIN. 2X4 WOOD FRAME OR BUCK (MIN. GR. 3 & G=0.55) | 11 GA. ROOFING NAIL | 1 3/8" | 1/2" |
| MIN. 1/8" THK A36 STEEL | NO. 8 GR. 5 SELF TAP/DRILL SCREW | FULL | 1/2" |
| MIN. 1/8" THK 6063-T5 ALUM. | NO. 8 GR. 5 SELF TAP/DRILL SCREW | FULL | 1/2" |

FOR MAX. FRAME SHORT DIMENSION, SEE SINGLE WINDOW PRESSURE TABLE ON THIS SHEET



EXTERIOR ELEVATION: SINGLE WINDOW

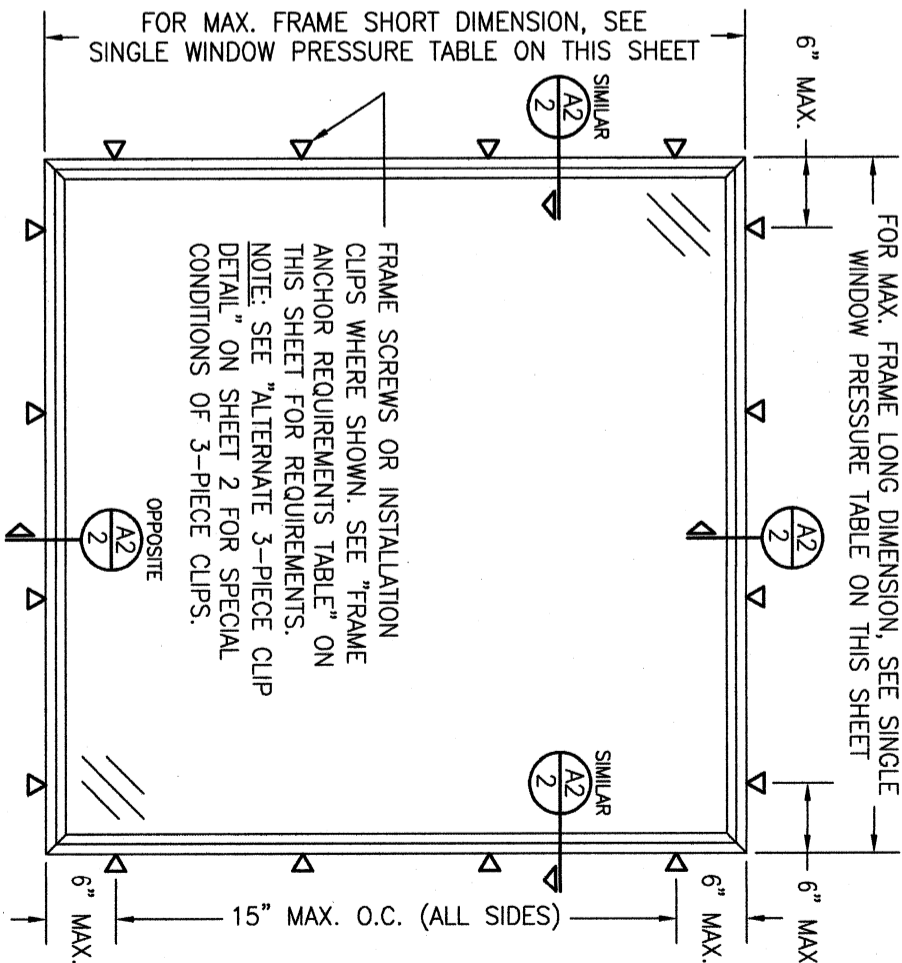
SCALE: 3/4" = 1'-0"

(NAIL FIN MOUNT CONDITION)

(RECTANGULAR WINDOW SHOWN, SHAPED WINDOWS ALSO APPLY.)

RECTANGULAR WINDOWS SHOWN, ANCHORING OF SHAPED WINDOWS IS THE SAME WITH REQUIRED ANCHOR SPACING ALONG THE FRAME CIRCUMFERENCE BEING THE SAME AS SPECIFIED FOR A STRAIGHT FRAME.

FOR MAX. FRAME SHORT DIMENSION, SEE SINGLE WINDOW PRESSURE TABLE ON THIS SHEET



EXTERIOR ELEVATION: SINGLE WINDOW

SCALE: 3/4" = 1'-0"

(FRAME SCREW AND CLIP MOUNT CONDITION)

(RECTANGULAR WINDOW SHOWN, SHAPED WINDOWS ALSO APPLY.)

ALLOWABLE SINGLE WINDOW PRESSURE TABLE

| MAXIMUM FRAME LONG DIMENSION (IN.) | MAXIMUM FRAME SHORT DIMENSION (IN.) | ALLOWABLE PRESSURE (+/- PSF) |
|------------------------------------|-------------------------------------|------------------------------|
| 100 3/4 | 85 1/8 | 40 |
| 120 | 72 | 40 |
| 60 | 60 | 50 |

1. LONG DIMENSION MAY BE HORIZONTAL OR VERTICAL

PRESSURE SHOWN IN THIS TABLE IS FOR INSTALLATION CONDITIONS ONLY. THE GOVERNING DESIGN PRESSURE ON THE WINDOWS SHALL BE THE LESSER OF THAT SHOWN IN THE INDIVIDUAL WINDOW'S STATE APPROVAL OR THAT SHOWN IN THIS TABLE.

EDGE DISTANCE MAY BE DECREASED TO 1/2" IF SCREWS ARE ANGLED 15 TO 20 DEGREES AWAY FROM THE EDGE.

INSTALLATION NOTE:

WHEN NECESSARY, INSTALLATION METHODS MAY BE MIXED WITH ANY ONE WINDOW SUCH THAT INDIVIDUAL SIDES OF THE WINDOW MAY USE ONE OR THE OTHER ANCHOR METHOD (EXAMPLE: STILL MAY USE FRAME SCREWS METHOD WHILE OTHER SIDES USE INSTALLATION CLIPS)

ANCHOR/SUBSTRATE EVALUATION NOTE:

ALL ANCHORS IN THEIR SPECIFIED SUBSTRATES HAVE BEEN ANALYZED IN ACCORDANCE WITH THEIR APPLICABLE STANDARD(S) AND ARE FOUND TO BE CAPABLE OF SUPPORTING ALL LOADS IMPOSED ON THEM UNDER THE GUIDELINES OF THIS DOCUMENT. ANY SUBSTRATES OR CONDITIONS OUTSIDE OF WHAT IS SHOWN HERE-IN SHALL BE SUBJECT TO JOB SPECIFIC ENGINEER'S REVIEW & CERTIFICATION.

DRAWN BY: W.R.M.
CHECKED BY: W.W.S.

| NO. | REVISION DESCRIPTION | BY | DATE |
|-----|-------------------------------|--------|----------|
| A1 | UPDATE PER NEW TESTING | W.R.M. | 04/08/11 |
| B1 | UPDATE PER NEW TESTING | W.R.M. | 10/31/11 |
| C1 | UPDATE TO CURRENT STANDARDS | W.W.S. | 01/13/15 |
| D1 | UPDATE FRAME PROFILES | W.W.S. | 09/02/16 |
| E1 | ADDED NEW INSTALL CLIP OPTION | W.W.S. | 06/05/24 |

PELLA CORPORATION
102 MAIN STREET
PELLA, IA 50219
641-621-1000



W. W. SCHAEFER ENGINEERING & CONSULTING, P.A.
25601 AYSEN DRIVE
PUNTA GORDA, FL 33983
PHONE: 561-744-3424

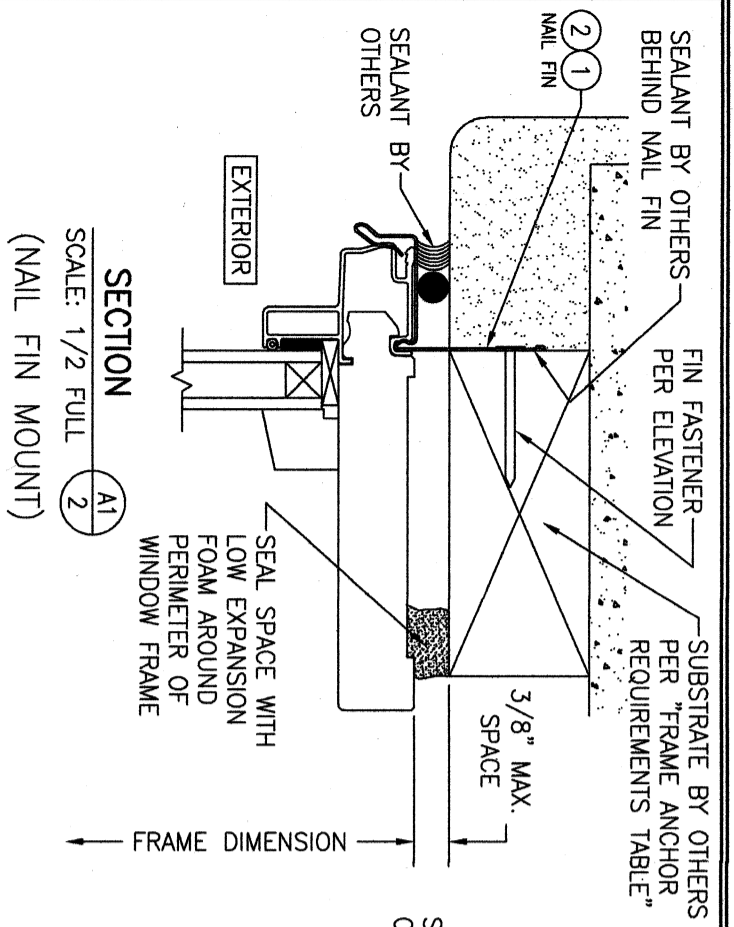
CERTIFICATION

WARREN W. SCHAEFER, P.E.
P.E. NO. 44135

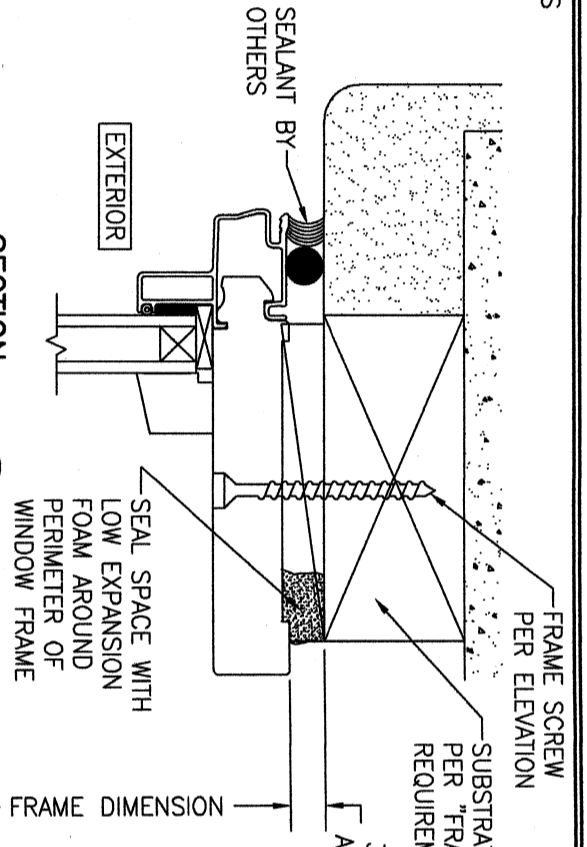
DRAWING NO. 1141
REV. E

SHEET NO. 1 OF 3

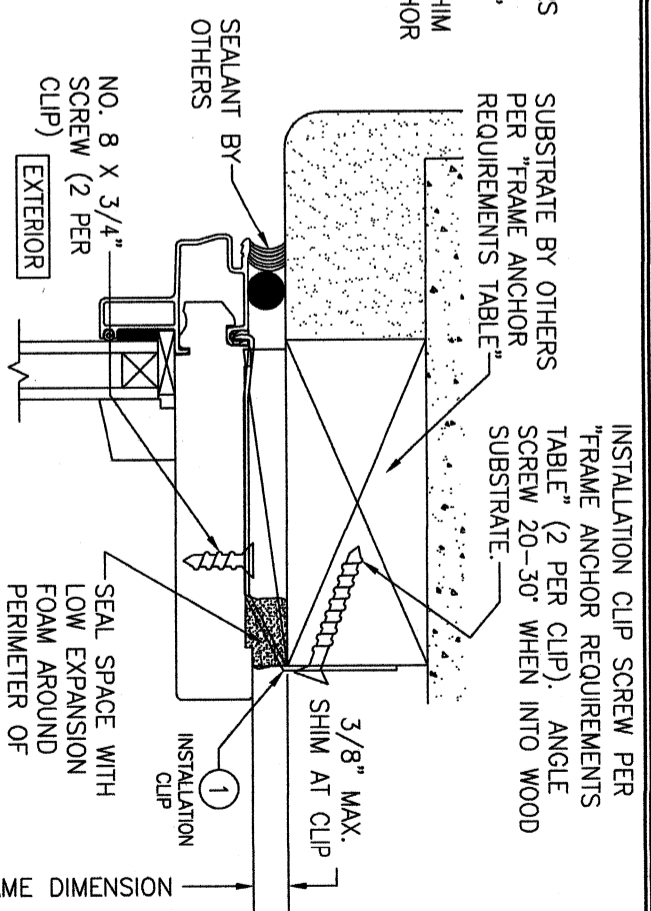
THESE DRAWINGS ARE APPLICABLE ONLY TO THE PRODUCT SPECIFIED. THEY MAY NOT BE USED FOR THE ASSEMBLY AND/OR INSTALLATION OF ANY OTHER PRODUCT NOR MAY THEY BE USED FOR RATIONAL, AND/OR LOCAL APPROVAL OF ANY PRODUCT NOT PRODUCED BY THE MANUFACTURER STATED ON THESE DRAWINGS.



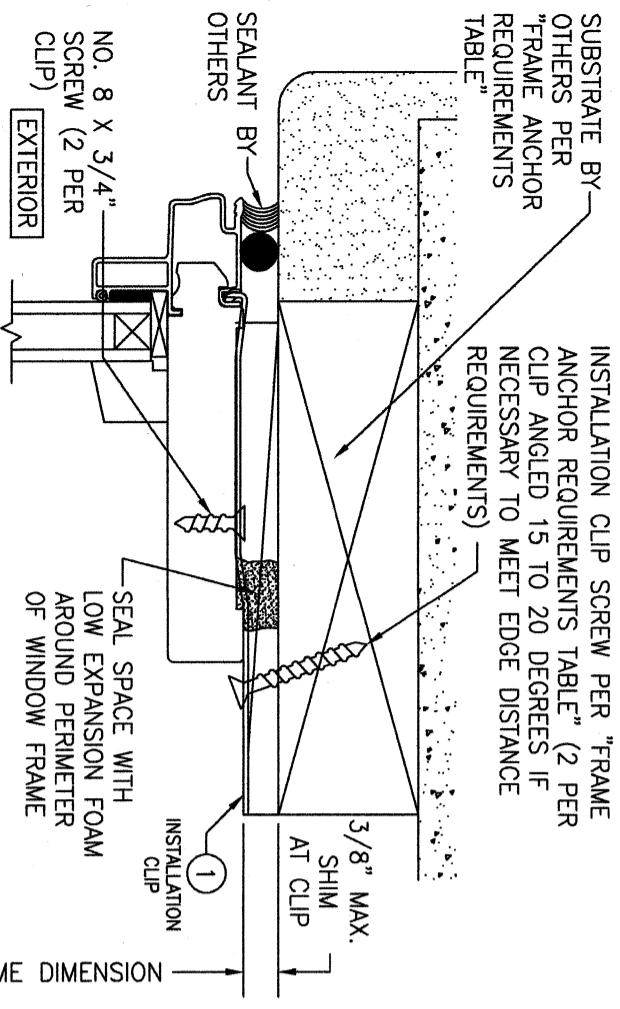
SECTION
SCALE: 1/2 FULL
(NAIL FIN MOUNT)



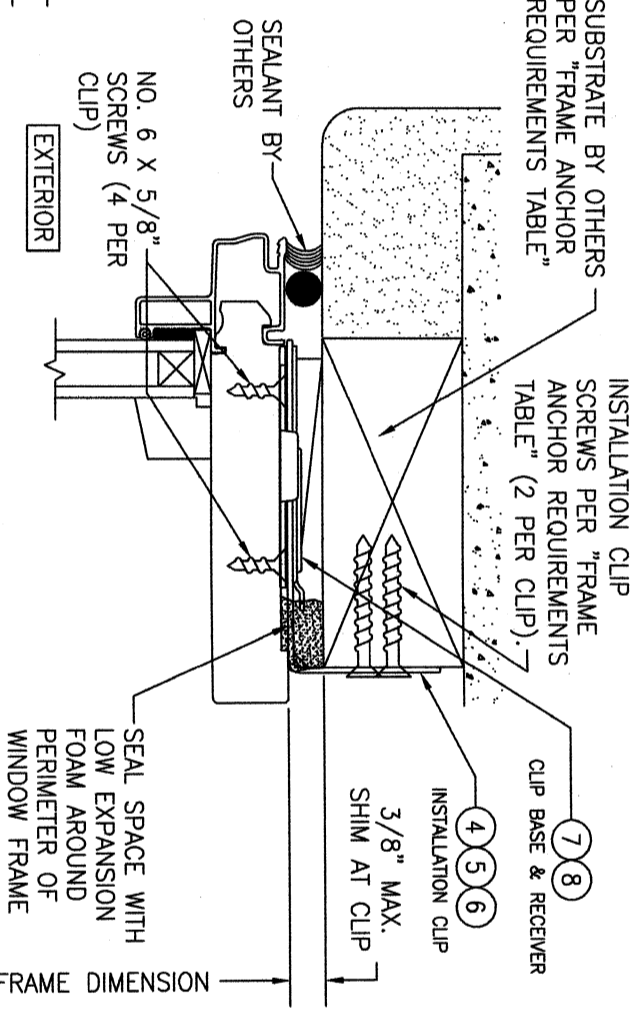
SECTION
SCALE: 1/2 FULL
FRAME SCREW MOUNT SHOWN. SEE DETAILS ON THIS SHEET FOR DIRECT MOUNT & CLIP MOUNT DETAILS.



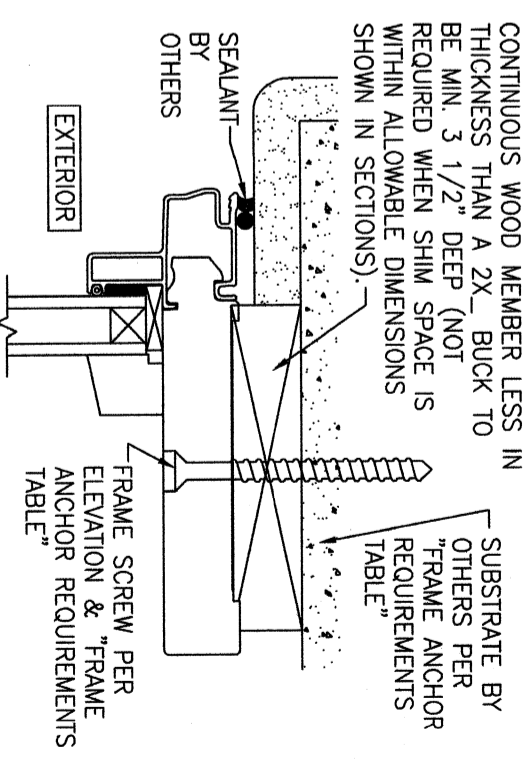
(HEAD SECTION SHOWN; SILL & SIDES ARE INSTALLED THE SAME)
(FOR DETAIL NOT SHOWN, SEE OTHER SECTIONS)



(HEAD SECTION SHOWN; SILL & SIDES ARE INSTALLED THE SAME)
(FOR DETAIL NOT SHOWN, SEE OTHER SECTIONS)



(HEAD SECTION SHOWN; SILL & SIDES ARE INSTALLED THE SAME)
(FOR DETAIL NOT SHOWN, SEE OTHER SECTIONS)
NOTE: 3-PIECE CLIPS MAY ACT AS SPOT OR FULL REPLACEMENTS OF EITHER THE FRAME SCREWS, STANDARD BENT CLIPS OR STRAIGHT CLIPS. THEREFORE, ANY ONE OR ALL OF THE FRAME SCREWS/CLIPS SPECIFIED IN THE ELEVATION(S) MAY BE REPLACED WITH 3-PIECE CLIPS.



(HEAD SECTION SHOWN; SILL & SIDES ARE INSTALLED THE SAME)
(FOR DETAIL NOT SHOWN, SEE OTHER SECTIONS)

| NO. | REVISION DESCRIPTION | BY | DATE |
|-----|----------------------|----|----------|
| 1-2 | | | 09/18/08 |

DRAWN BY: W.W.S.
CHECKED BY: W.W.S.
DATE: 09/18/08

MANUFACTURER
Pella
PELLA CORPORATION
102 MAIN STREET
PELLA, IA 50219
641-621-1000

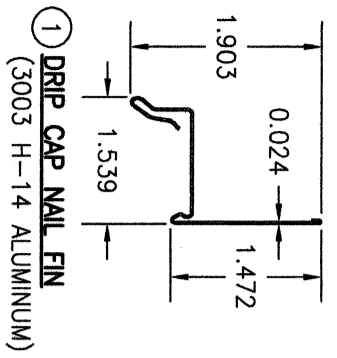
CONSULTANTS
W. W. SCHAEFER ENGINEERING & CONSULTING, P.A.
25601 AYSEN DRIVE
PUNTA GORDA, FL 33983
PHONE: 561-744-3424

DRAWING TITLE
PELLA NON-IMPACT ALUMINUM CLAD WOOD FIXED FRAME DIRECT SET WINDOW (STANDARD INSTALLATION)

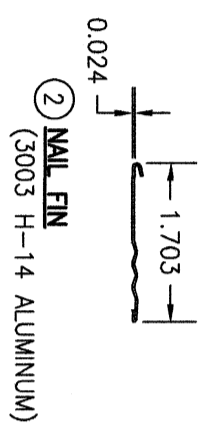
CERTIFICATION
WARREN W. SCHAEFER, P.E.
P.E. NO. 44135

DRAWING NO.: 1141
REV. E

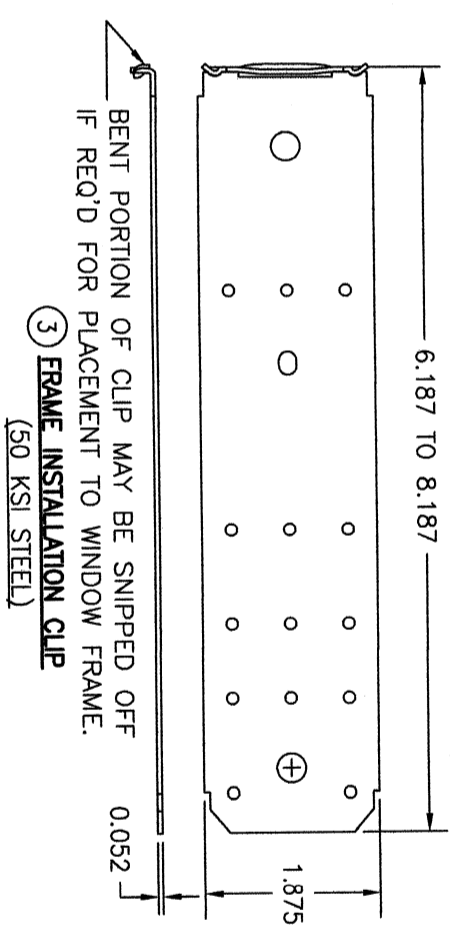
SHEET NO. 2 OF 3



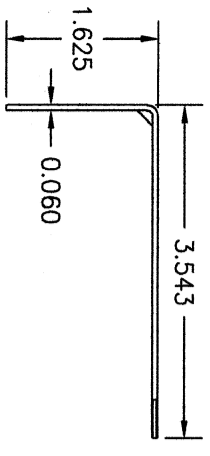
① DRIP CAP NAIL FIN
(3003 H-14 ALUMINUM)



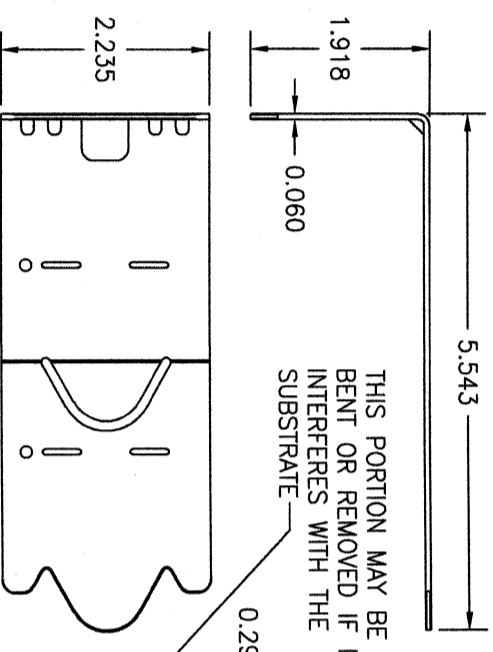
② NAIL FIN
(3003 H-14 ALUMINUM)



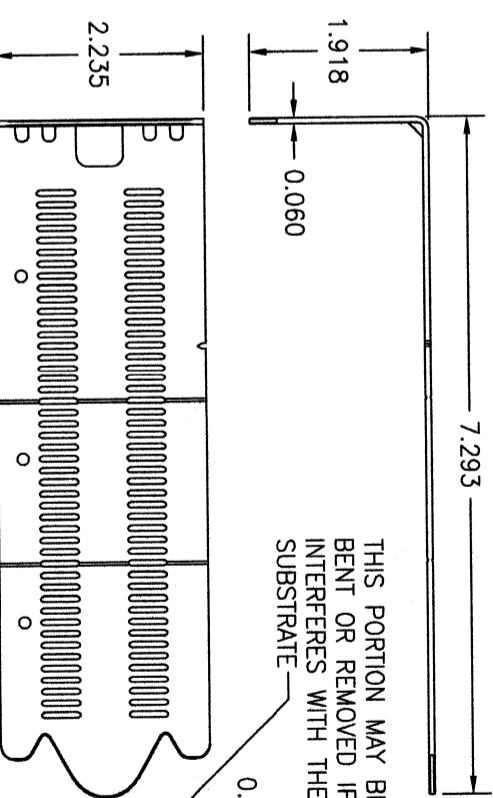
③ FRAME INSTALLATION CLIP
(50 KSI STEEL)



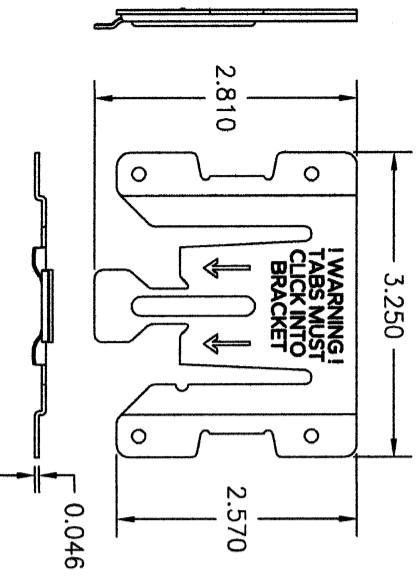
④ FRAME INSTALLATION CLIP
(50 KSI STEEL)
SHORT CLIP USED WITH 3-PIECE CLIP SYSTEM
(TYPICALLY USED WITH 2X4 BUCK SUBSTRATE)



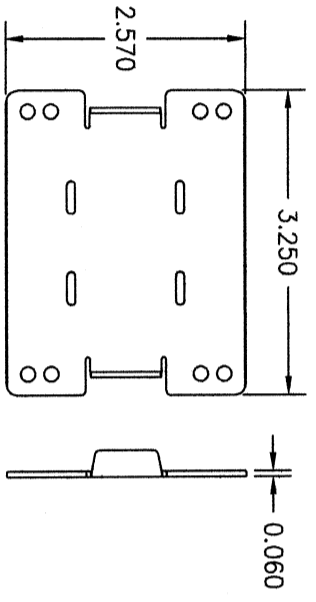
⑤ FRAME INSTALLATION CLIP
(50 KSI STEEL)
LONG CLIP USED WITH 3-PIECE CLIP SYSTEM
(TYPICALLY USED WITH 2X6 BUCK SUBSTRATE,
BUT MAY ALSO BE USED WITH 2X4)



⑥ FRAME INSTALLATION CLIP
(50 KSI STEEL)
ADJUSTABLE CLIP USED WITH 3-PIECE CLIP SYSTEM



⑦ 3-PIECE CLIP RECEIVER
(50 KSI STEEL)



⑧ 3-PIECE CLIP BASE
(33 KSI STEEL)

| NO. | REVISION DESCRIPTION | BY | DATE |
|-----|----------------------|----|------|
| | | | |
| | | | |
| | | | |

DRAWING TITLE: PELLA NON-IMPACT ALUMINUM CLAD WOOD FIXED FRAME DIRECT SET WINDOW (STANDARD INSTALLATION)

CONSULTANTS: W. W. SCHAEFER ENGINEERING & CONSULTING, P.A.
25601 AYSEN DRIVE
PUNTA GORDA, FL 33983
PHONE: 561-744-3424

MANUFACTURER: PELLA CORPORATION
102 MAIN STREET
PELLA, IA 50219
641-621-1000

CERTIFICATION: WARREN W. SCHAEFER, P.E.
P.E. NO. 44135

DRAWING NO.: 1141
REV.: E
SHEET NO.: 3 OF 3